



D

C

B

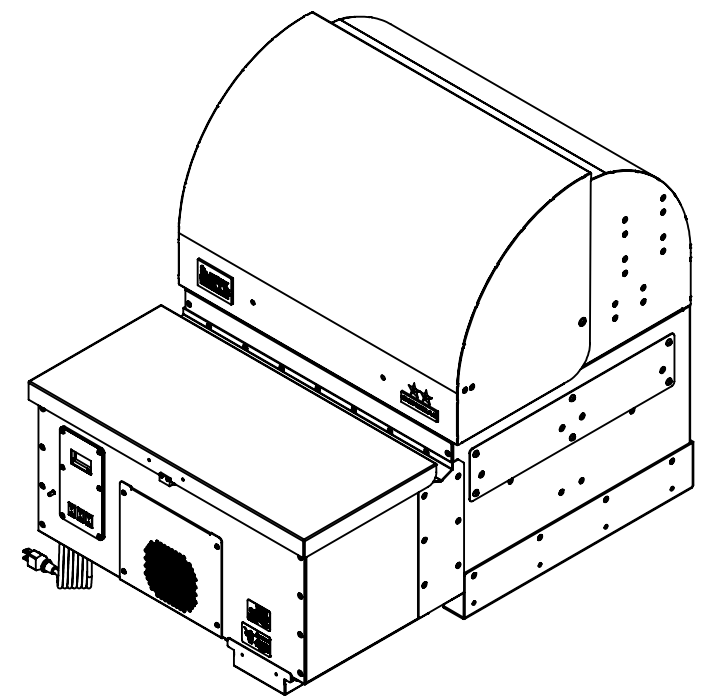
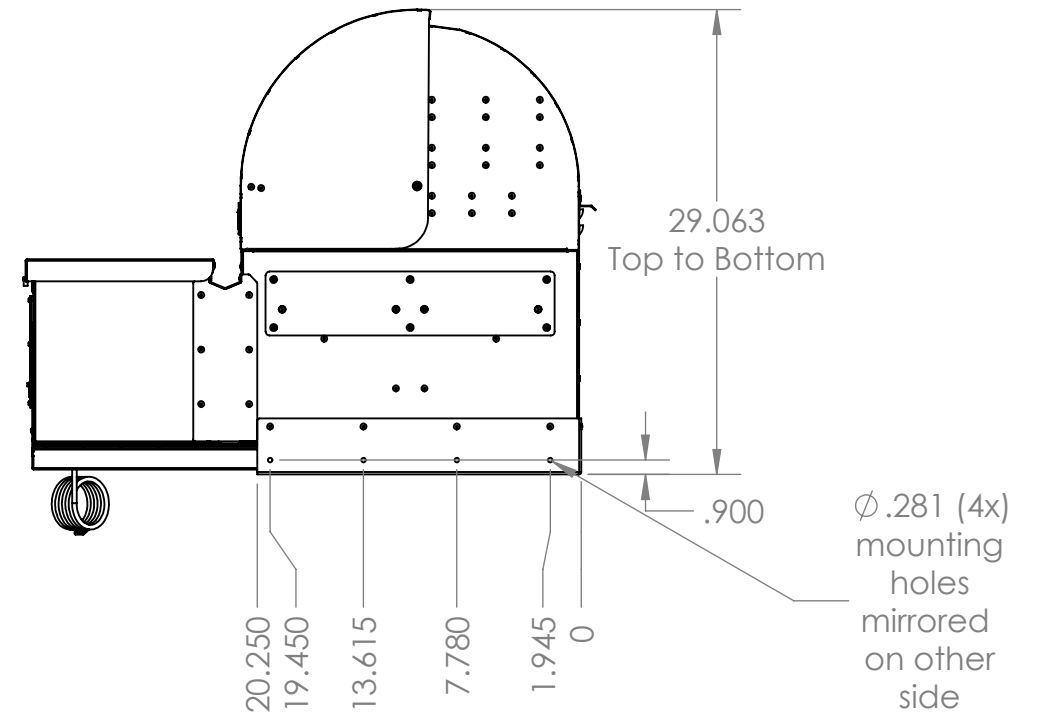
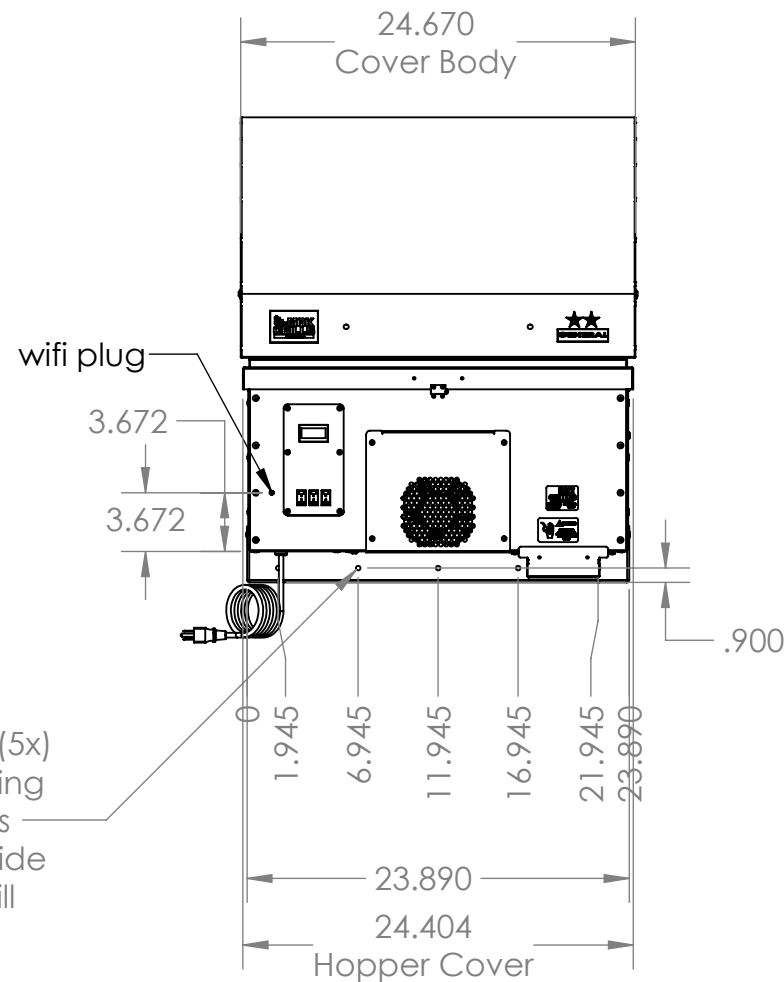
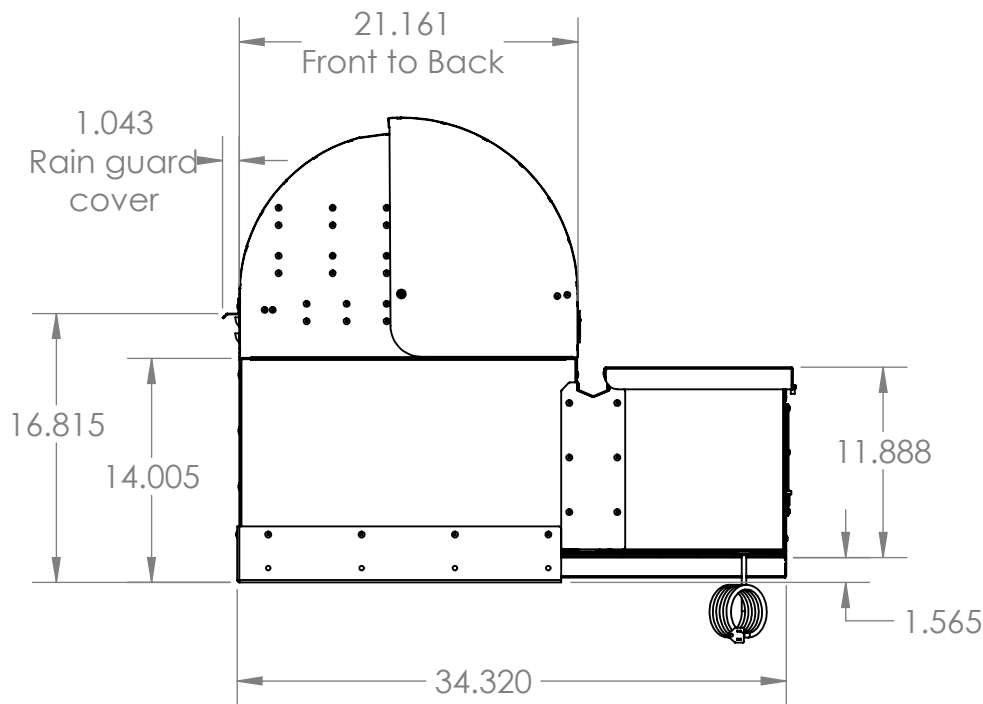
A

D

C

B

A



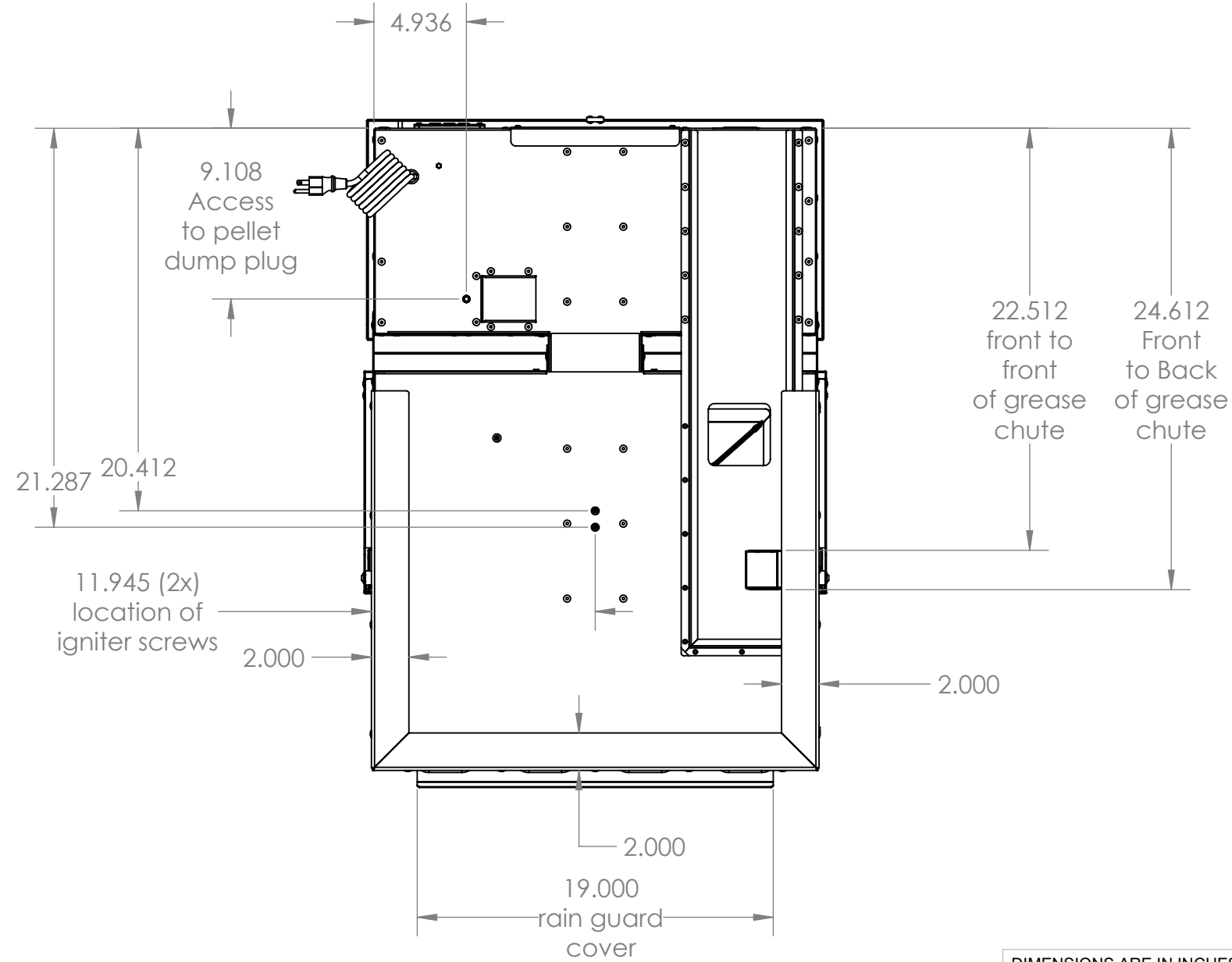
DIMENSIONS ARE IN INCHES
 UNLESS OTHERWISE SPECIFIED
 TOLERANCES:
 ANGULAR: MACH ±1°
 BEND ±1°
 .X ±.050
 .XX ±.030
 .XXX ±.010

INTERPRET DRAWING PER: ANSI STANDARDS

PROPRIETARY AND CONFIDENTIAL
 THE INFORMATION CONTAINED IN THIS DRAWING IS THE SOLE PROPERTY OF MAK METALS INC. ANY REPRODUCTION IN PART OR AS A WHOLE WITHOUT THE WRITTEN PERMISSION OF MAK METALS INC. IS PROHIBITED.

ROUTER # 20375		CUSTOMER : MAK GRILLS	
NAME JC	DATE 3/16/22	PART # : 2G-BI-0000	
CHECKED		DESCRIPTION : 2 STAR BUILT-IN GENERAL FINAL ASSY	
ENG APPR.		MATERIAL : SEE SUBS	
MFG APPR.		FINISH : NONE	
Q.A.		REV. A SIZE B SHEET 1 OF 3	
COMMENTS: The 3D SolidWorks model is the controlling document for this part. All Bends 90° unless otherwise specified. DO NOT SCALE DRAWING			

CONFIGURATION OF CAD :
Default



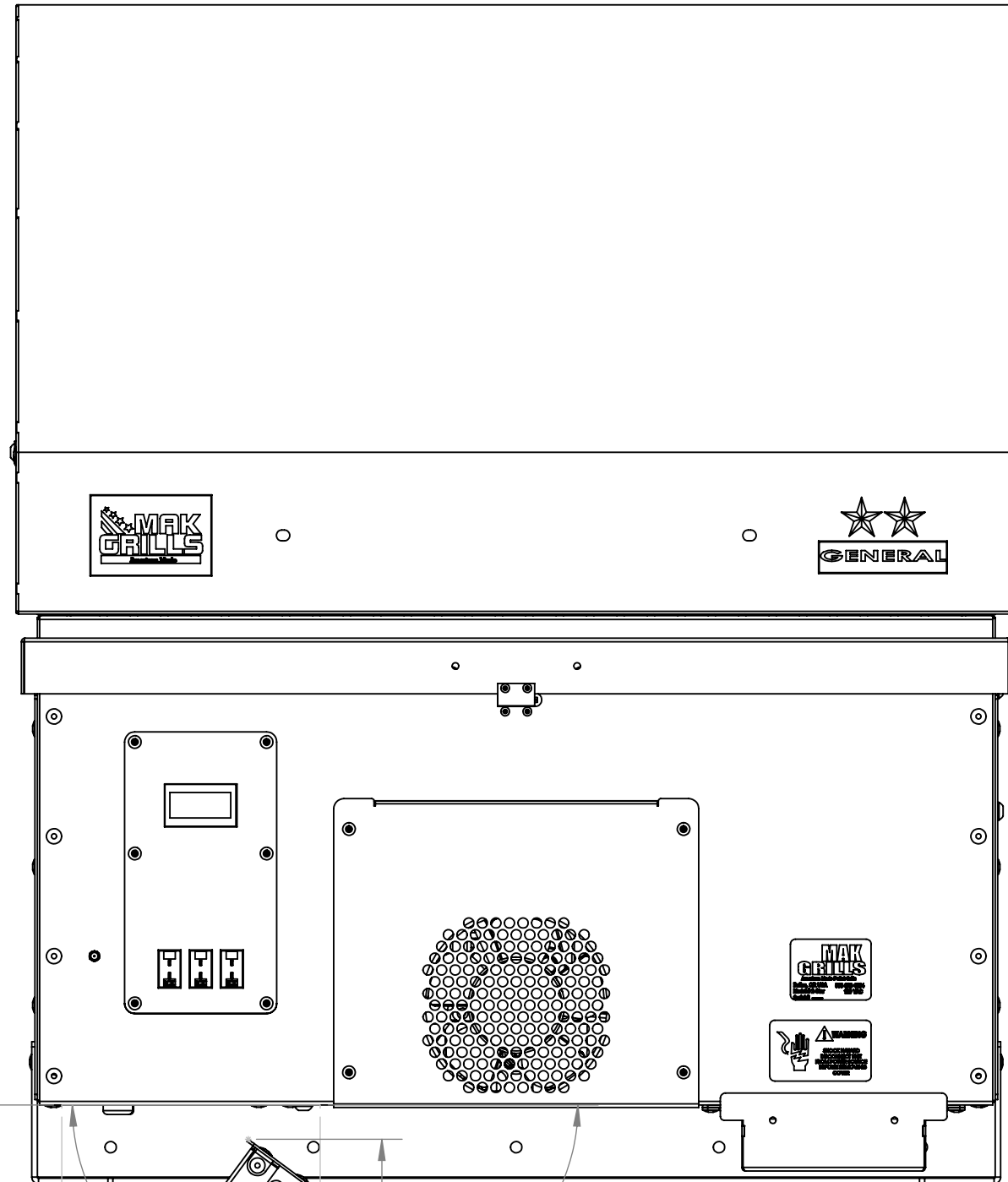
CONFIGURATION OF CAD :
Default

DIMENSIONS ARE IN INCHES
UNLESS OTHERWISE SPECIFIED
TOLERANCES:
ANGULAR: MACH ±1°
BEND ±1°
.X ±.050
.XX ±.030
.XXX ±.010

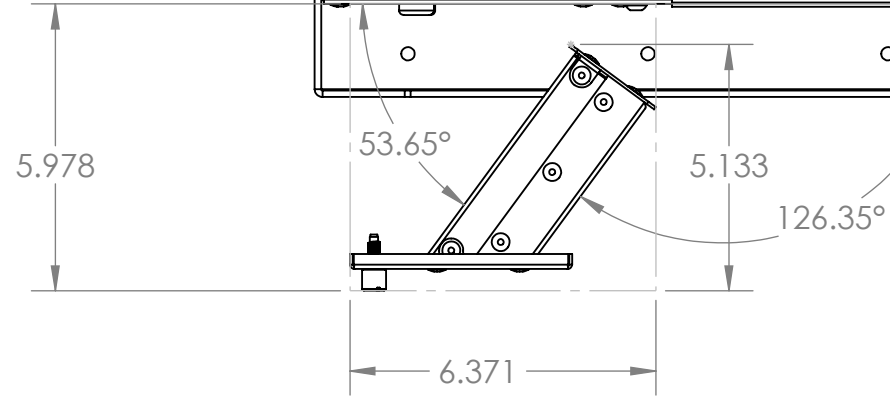
INTERPRET DRAWING
PER: ANSI STANDARDS

PROPRIETARY AND CONFIDENTIAL
THE INFORMATION CONTAINED IN THIS
DRAWING IS THE SOLE PROPERTY OF
MAK METALS INC. ANY REPRODUCTION
IN PART OR AS A WHOLE WITHOUT THE
WRITTEN PERMISSION OF MAK METALS
INC. IS PROHIBITED.

ROUTER # 20375		CUSTOMER : MAK GRILLS	
NAME JC	DATE 3/16/22	PART # : 2G-BI-0000	
CHECKED		DESCRIPTION : 2 STAR BUILT-IN GENERAL FINAL ASSY	
ENG APPR.		MATERIAL : SEE SUBS	
MFG APPR.		FINISH : NONE	
Q.A.		REV. A SIZE B SHEET 2 OF 3	
COMMENTS: The 3D SolidWorks model is the controlling document for this part. All Bends 90° unless otherwise specified. DO NOT SCALE DRAWING			



POWER CORD
HIDDEN IN THIS
VIEW.



CONFIGURATION OF CAD :
Default

DIMENSIONS ARE IN INCHES
UNLESS OTHERWISE SPECIFIED
TOLERANCES:
ANGULAR: MACH $\pm 1^\circ$
BEND $\pm 1^\circ$
.X $\pm .050$
.XX $\pm .030$
.XXX $\pm .010$

INTERPRET DRAWING
PER: ANSI STANDARDS

PROPRIETARY AND CONFIDENTIAL
THE INFORMATION CONTAINED IN THIS
DRAWING IS THE SOLE PROPERTY OF
MAK METALS INC. ANY REPRODUCTION
IN PART OR AS A WHOLE WITHOUT THE
WRITTEN PERMISSION OF MAK METALS
INC. IS PROHIBITED.

ROUTER # 20375		CUSTOMER : MAK GRILLS	
NAME JC	DATE 3/16/22	PART # : 2G-BI-0000	
CHECKED		DESCRIPTION : 2 STAR BUILT-IN GENERAL FINAL ASSY	
ENG APPR.		MATERIAL : SEE SUBS	
MFG APPR.		FINISH : NONE	
Q.A.		REV. A SIZE B SHEET 3 OF 3	
COMMENTS: The 3D SolidWorks model is the controlling document for this part. All Bends 90° unless otherwise specified. DO NOT SCALE DRAWING			